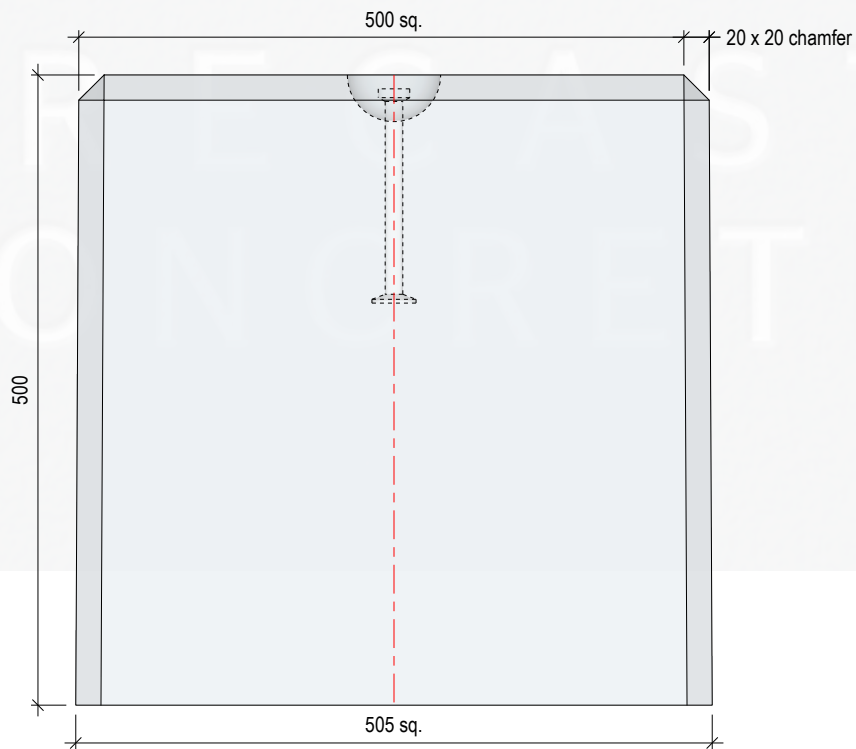
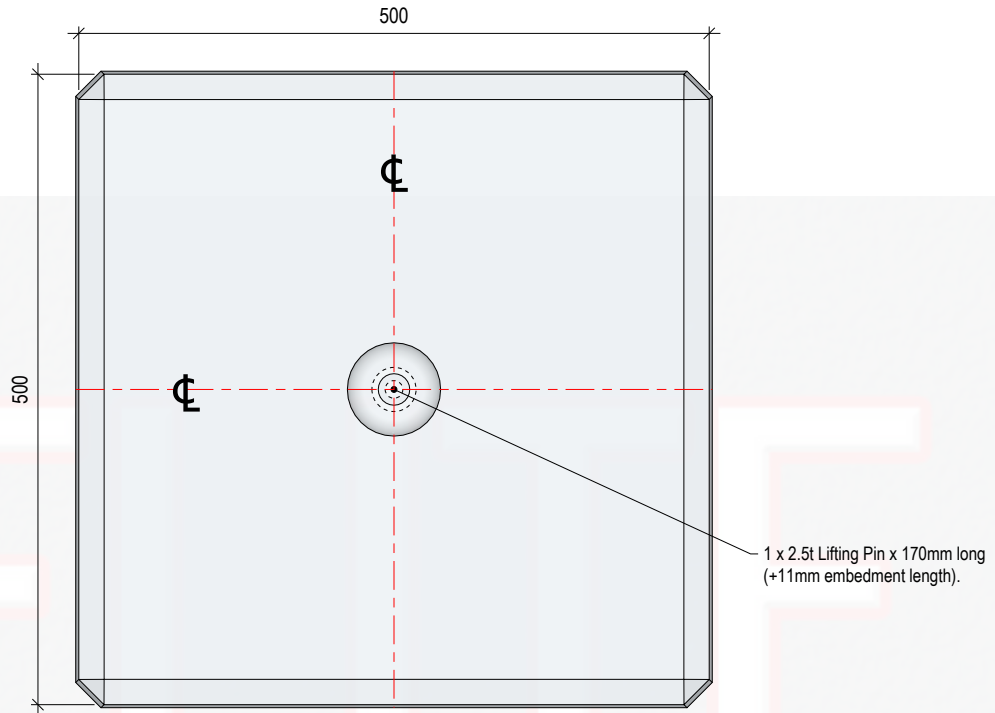



Weight of Slab : 305kg Approx.



					O	04.03.26	For information.	CTC	-									
REV	DATE	REASON FOR ISSUE	DRN	APP	REV	DATE	REASON FOR ISSUE	DRN	APP									
TITLE					ELITE PRECAST CONCRETE LTD UNIT O, HALESFIELD 9 TELFORD TF7 4QW Tel : 01952 588885 www.eliteprecast.co.uk email : sales@eliteprecast.co.uk													
Solar Ballast Block 500mm x 500mm x 500mm					DRN	CTC	CHKD	-	DATE	04-03-26	SIZE	A4	SCALE	NTS (1:6)	DRG	Solar500500500	REV	O