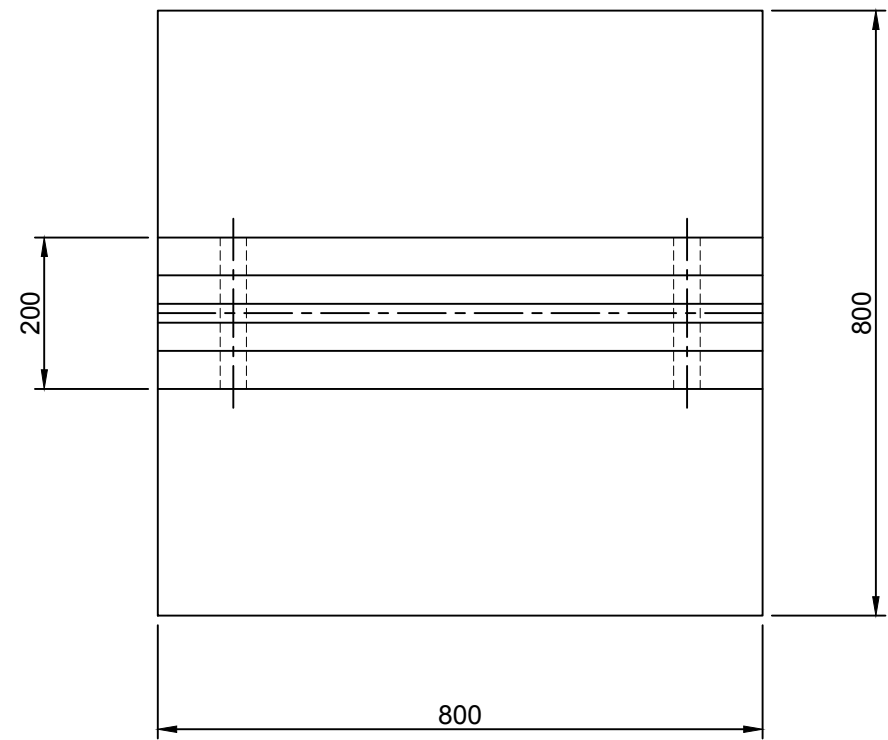
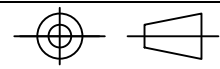
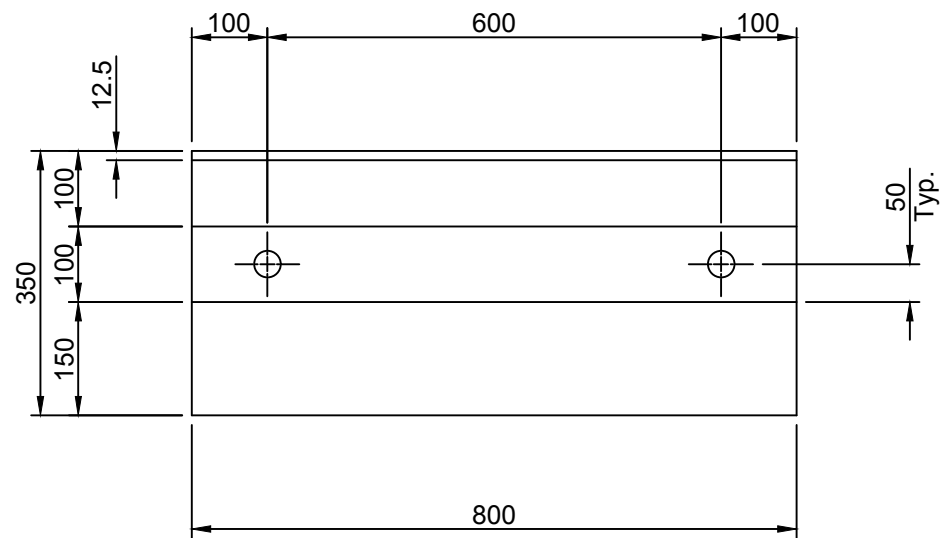


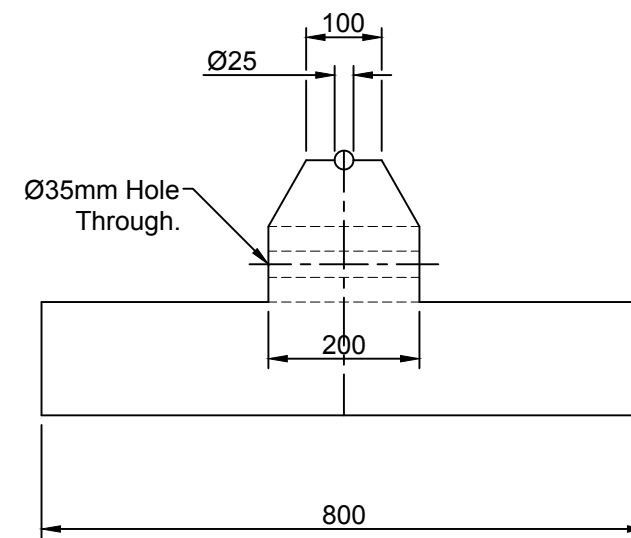
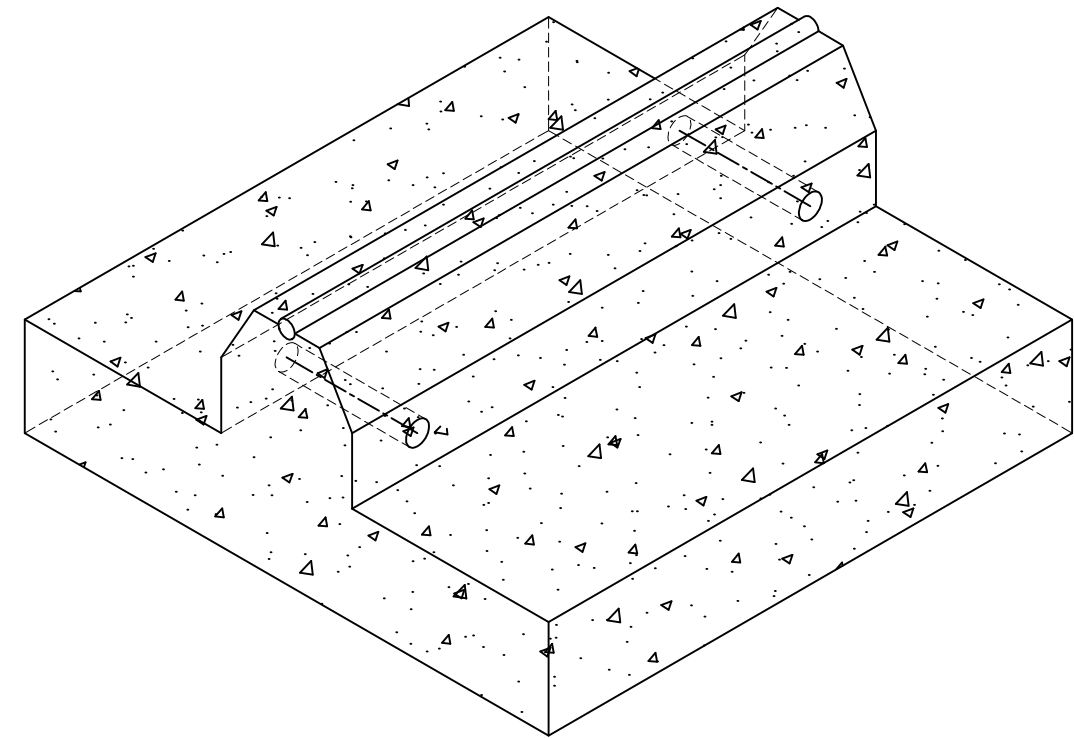
PROJECTION



Plan



Elevation



End

						O	30.10.13	For Information.		CTC RD			
REV	DATE	REASON FOR ISSUE			DRN	APP	REV	DATE	REASON FOR ISSUE		DRN	APP	
TITLE					800 x 800 x 350mm Base Sleeper			ELITE PRECAST CONCRETE LIMITED HALESFIELD 9, TELFORD SHROPSHIRE TF7 4QW					
Elite Product Code : -													
DRN	CTC	CHKD	RD	DATE	30-10-13	SIZE	A3	SCALE	1:10	DRG	EPC-DRG-119	REV	O