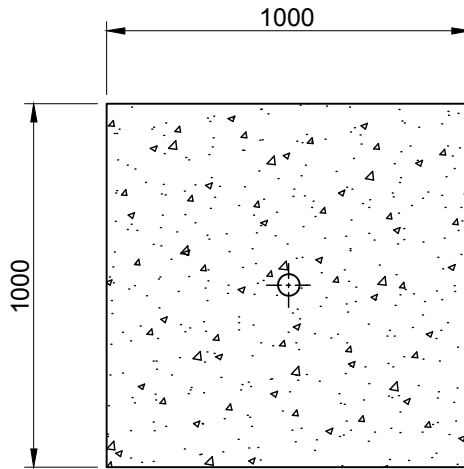
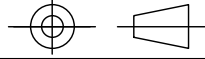
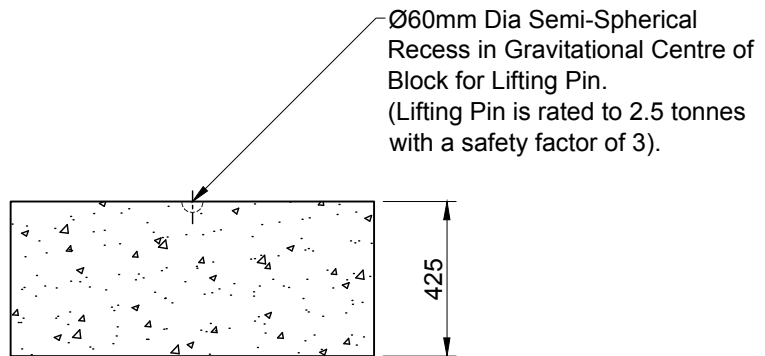


PROJECTION



Plan



Ø60mm Dia Semi-Spherical Recess in Gravitational Centre of Block for Lifting Pin.
(Lifting Pin is rated to 2.5 tonnes with a safety factor of 3).

Elevation

Notes:

Unit Weight 1000kg

					O	31.10.13	For Information	CTC	RD				
REV	DATE	REASON FOR ISSUE	DRN	APP	REV	DATE	REASON FOR ISSUE	DRN	APP				
TITLE : Kentledge Block 1000 x 1000 x 425mm 'Cube' Elite Product Code : KC1000				ELITE PRECAST CONCRETE LIMITED HALESFIELD 9, TELFORD SHROPSHIRE TF7 4QW									
DRN :	CTC	CHKD :	RD	DATE :	31-10-13	DRG SIZE :	A4	SCALE :	1:20	DRG	067	REV	O