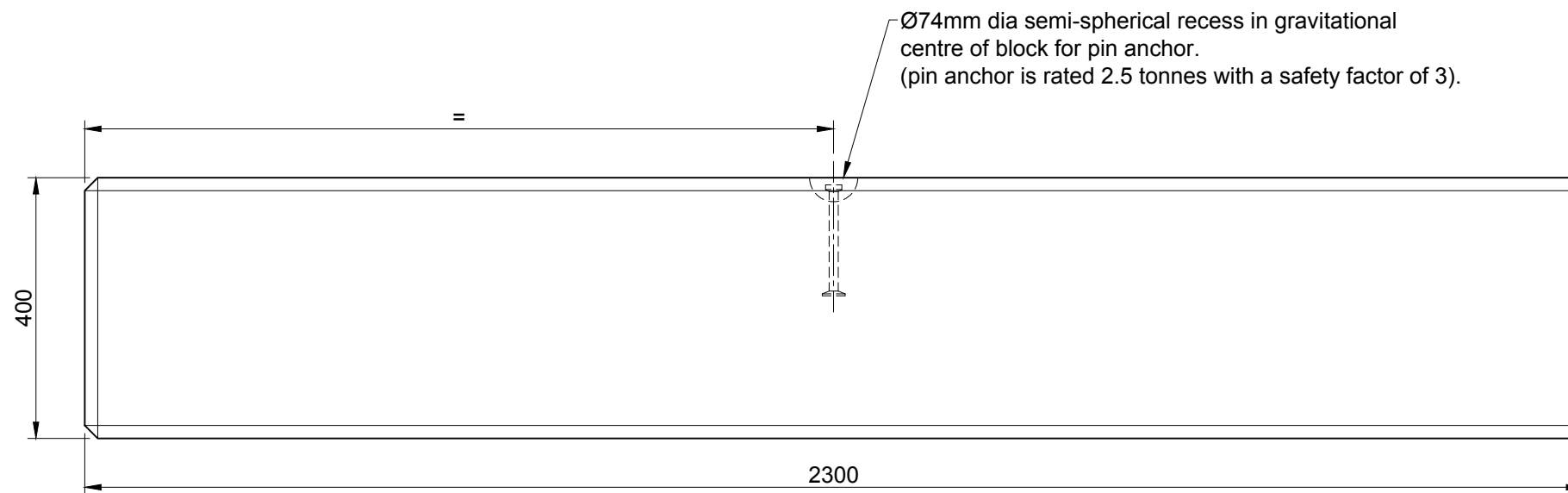
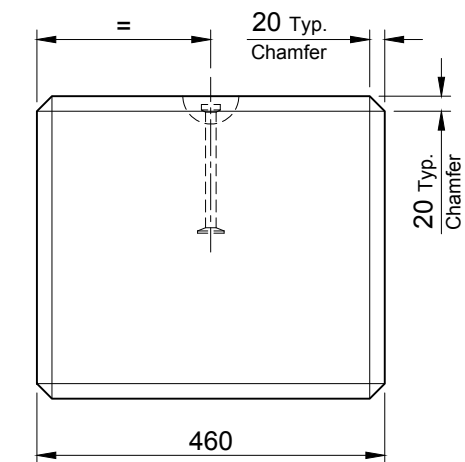


Plan

Total Block Weight : 1000Kg



Elevation



End

ALL Concrete Solar Blocks are manufactured using high strength (50N/mm²) concrete and are Class A1 fire resistant in accordance with clause 4.3.4.4 of EN 13369.

| | | | | | | | | | | | | | | | | | | | | | | | |
|-----|------|------------------|-----|-----|-----|------|------------------|-----|-----|---------|-----|---------------------------------|-----|----------------------------|----------|------|----|-------|------|-----|-------------|-----|---|
| | | | | | | | | | | TITLE | | Solar Block | | ELITE PRECAST CONCRETE LTD | | | | | | | | | |
| | | | | | | | | | | | | 2300mm x 460mm x 400mm x 1000kg | | HALESFIELD 9, TELFORD | | | | | | | | | |
| | | | | | | | | | | | | Elite Product Code : KZ1000 | | SHROPSHIRE TF7 4QW | | | | | | | | | |
| | | | | | | | | | | | | O 17.05.16 | | For Information. | | | | | | | | | |
| | | | | | | | | | | CTC RMD | | | | | | | | | | | | | |
| REV | DATE | REASON FOR ISSUE | DRN | APP | REV | DATE | REASON FOR ISSUE | DRN | APP | DRN | CTC | CHKD | RMD | DATE | 17-05-16 | SIZE | A3 | SCALE | 1:10 | DRG | EPC-SOL-001 | REV | O |

