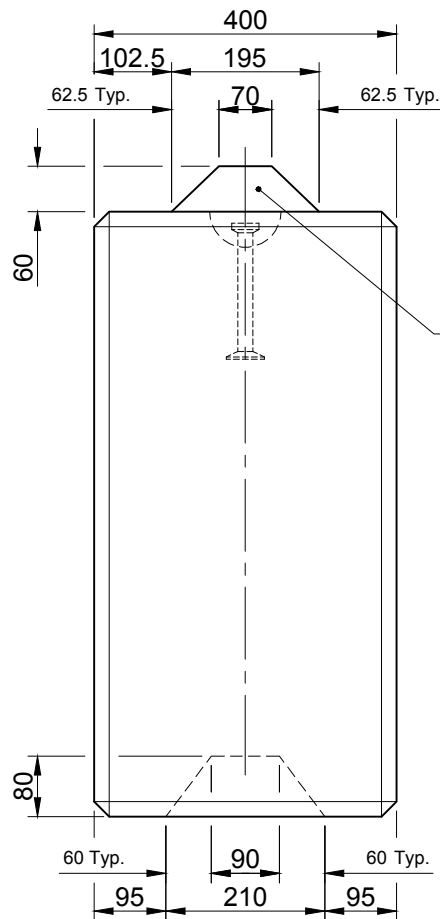
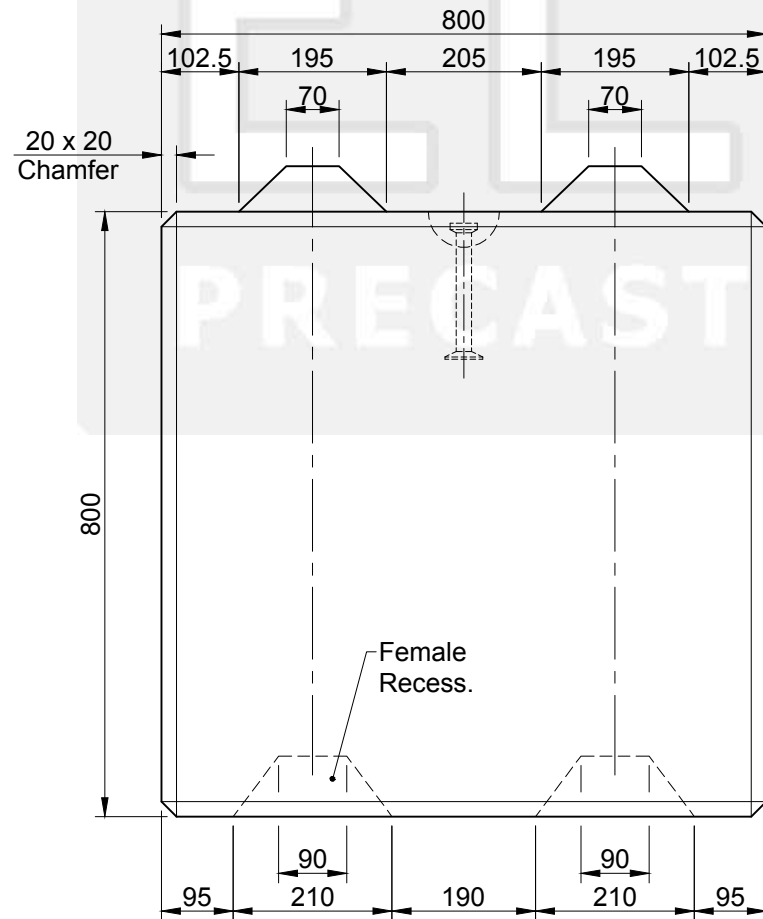


Ø94mm dia semi-spherical recess in gravitational centre of block for pin anchor.
(pin anchor is rated to 5.0 tonnes with a safety factor of 3).

Plan



Elevation



End

1. Handling

- Unit Volume / Weight

Unit Ref	Volume (m ³)	Weight (kg)
LG2	0.253	600

- Weight is based on 2350 kg/m³
- Lifting system is by means of a 180mm long spherical pin anchor rated at 5.0 tonnes with a safety factor of 3.
- Lifting is achieved by use of a 5.0t rated pin anchor ring clutch or combination ring clutch only and should comply with the Lifting Operation & Lifting Equipment Regulations 1998 (LOLER).

2. Concrete

- Characteristic 28 day cube strength = 50 N/mm² min.
- Concrete is Class A1 Fire Resistant in accordance with clause 4.3.4.4 of EN 13369.

3. Manufacture

- Manufactured to : BS EN 13369 : 2013
- Tolerances to : BS EN 13670 : 2009

4. Physical & Chemical Properties

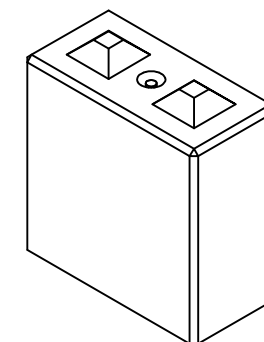
- Appearance : Grey in Colour
- Other Chemical Properties : Not Applicable

5. Design

- Design Life : >100 years

6. Manufacture Tolerances

- Length ± 5mm
- Width ± 5mm
- Height ± 5mm



Isometric View

REV	DATE	REASON FOR ISSUE	DRN	APP	REV	DATE	REASON FOR ISSUE	DRN	APP	TITLE	ELITE PRECAST CONCRETE LTD HALESFIELD 9, TELFORD SHROPSHIRE TF7 4QW	ELITE PRECAST CONCRETE	SIZE	SCALE	DRG	REV
					A	03.01.18	Drawing revised & updated.	CTC	RMD	Legato™ Interlocking Concrete Block 400 x 800 x 800mm (M / F Interlocks) Elite Product Code : LG2			A3	1:10	EPC-LEG-002	A
				O	23.06.16	For Information.	CTC	RMD								
										DATE	23-06-16					