

## Channels... Ducts... Troughs

Precast concrete ducting is a system that allows for the accommodation of a number of different services from multiple utility and building providers.

The trough and lid system has a number of distinct advantages over direct bury and overhead suspension including...

**PROVIDING A PROTECTIVE BARRIER FOR SERVICES AGAINST ACCIDENTAL DAMAGE**

**ACTING AS A CLEAR INDICATION OF UTILITY INSTALLATIONS**

**EASY ACCESS FOR MAINTENANCE AND REPAIRS**

**HIGH LEVELS OF SECURITY**

Applications include the housing/transportation of...

**Electric cables**

**Gas pipes**

**Steam pipes**

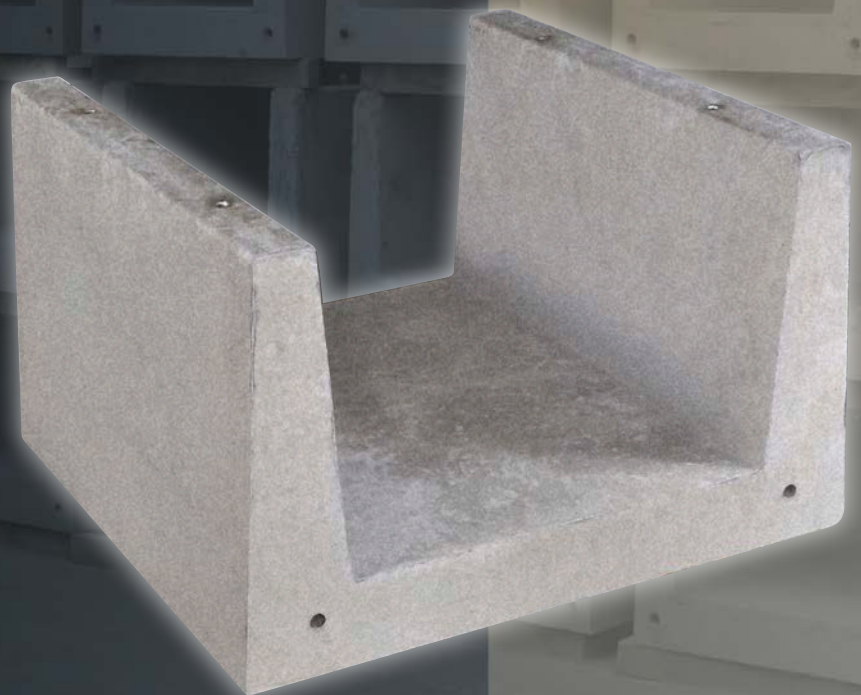
**Water**

**Sewage**

**Slurry**

**Fibre optic cables**

or multiples of the above.



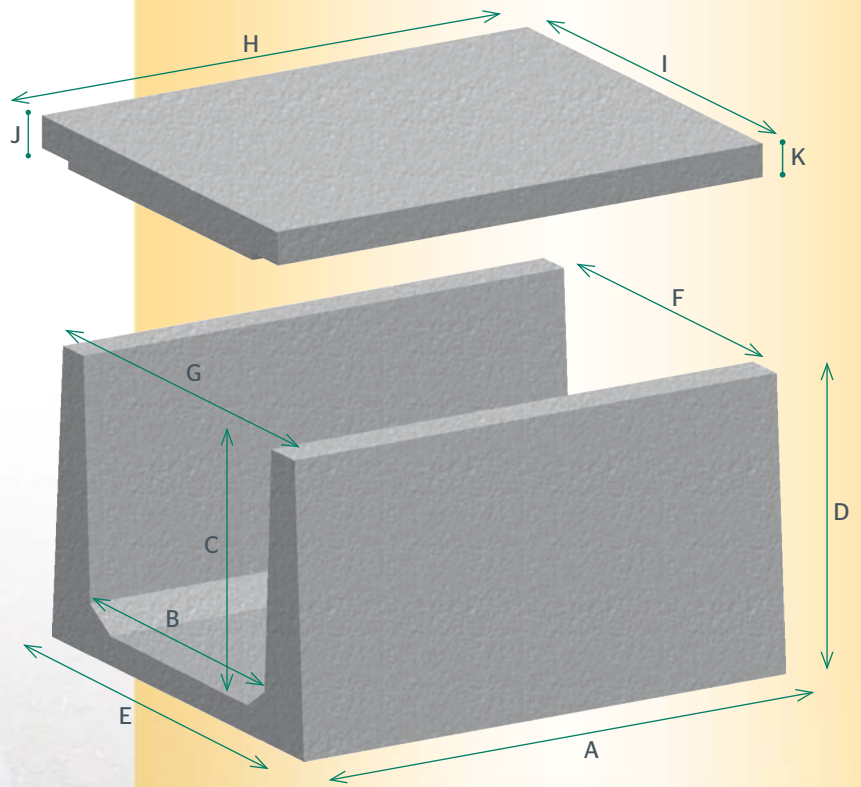
For more information on Elite quality concrete products  
phone 01952 588 885 or browse [www.eliteprecast.co.uk](http://www.eliteprecast.co.uk)

# Channels... Ducts... Troughs

## Ducts/channels

Rectangular Ducts are available in the following dimensions set out in the table below, as indicated by the key letters on the drawing illustrated right.

CAD drawings and weights of the channels can be down-loaded from the Technical Drawings section. We can also cater for bespoke sizes made to your specification.



### Ducts

| Code | Channel dimensions mm |      |      |      |      |      |      | Unit weight |
|------|-----------------------|------|------|------|------|------|------|-------------|
|      | A                     | B    | C    | D    | E    | F    | G    |             |
| 5107 | 1500                  | 300  | 300  | 390  | 470  | 314  | 454  | 324kg       |
| 5059 | 2000                  | 600  | 450  | 575  | 850  | 700  | 850  | 955kg       |
| 1196 | 1000                  | 450  | 450  | 575  | 655  | 475  | 625  | 385kg       |
| 1603 | 1000                  | 600  | 320  | 445  | 910  | 700  | 850  | 430kg       |
| 1606 | 1000                  | 600  | 620  | 745  | 910  | 700  | 850  | 580kg       |
| 1755 | 1000                  | 730  | 520  | 660  | 1070 | 810  | 990  | 660kg       |
| 1757 | 1000                  | 700  | 770  | 910  | 1100 | 810  | 990  | 880kg       |
| 1050 | 1000                  | 1000 | 520  | 660  | 1320 | 1060 | 1240 | 750kg       |
| 1075 | 1000                  | 960  | 770  | 910  | 1350 | 1060 | 1240 | 960kg       |
| 1010 | 1000                  | 930  | 1020 | 1160 | 1380 | 1060 | 1240 | 1220kg      |
| 1012 | 1000                  | 1000 | 1200 | 1325 | 1450 | 1100 | 1350 | 1425kg      |

### Lids

| Code | Lid dimensions mm |      |     |     | Unit weight |
|------|-------------------|------|-----|-----|-------------|
|      | H                 | I    | J   | K   |             |
| 5107 | 1500              | 475  | 122 | 102 | 183kg       |
| 1197 | 1000              | 655  | 135 | 120 | 200kg       |
| 1601 | 1000              | 920  | 160 | 145 | 330kg       |
| 1701 | 1000              | 1070 | 160 | 145 | 380kg       |
| 1001 | 1000              | 1320 | 160 | 145 | 480kg       |