

1. Handling

Unit Volume / Weight

Unit Ref : **VRKC-1220**
 Volume : **0.388 m³**
 Weight : **915 kg**

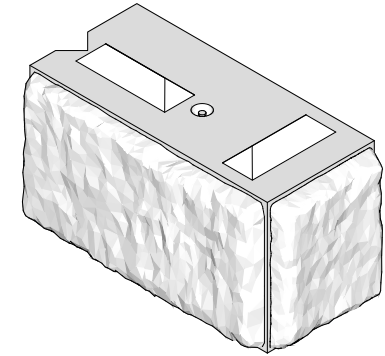
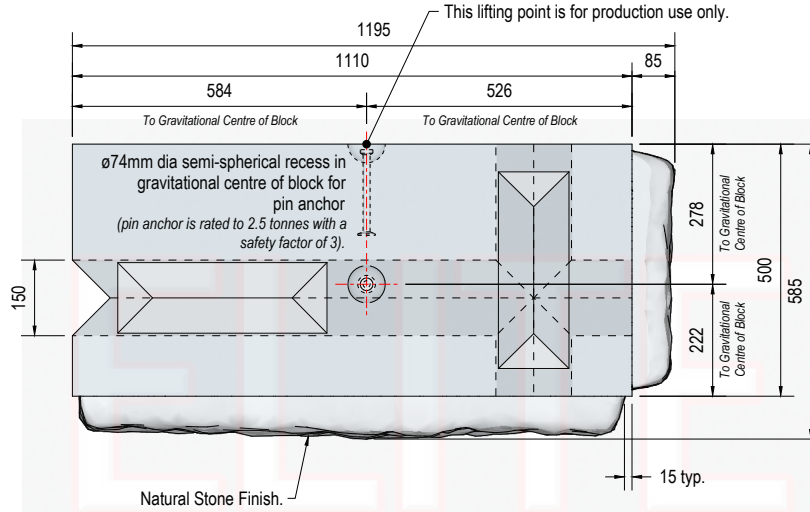
- Weight is based on 2,350 kg/m³
- Lifting system is by means of a 170mm long spherical pin anchor rated at 2.5 tonnes with a safety factor of 3.
- Lifting is achieved by use of a 2.5t rated pin anchor ring clutch or combination ring clutch only and should comply with the Lifting Operation & Lifting Equipment Regulations 1998 (LOLER).

Lifting Pin Characteristics

Anchor Type : **T-025-0170**
 Anchor Length : **170mm**
 dia : **14mm**
 Foot dia : **35mm**
 Load Class : **2.5 tonnes**

IMPORTANT NOTE :

Prior to lifting older / pre-used blocks, check the lifting pin for wear / corrosion and check the block for cracks. If the block is cracked or the pin is worn, it could fail when lifting.



2. Concrete

- Characteristic 28 day cube strength = 50 N/mm² min.
- Concrete is Class A1 Fire Resistant in accordance with clause 4.3.4.4 of EN 13369

3. Manufacture

- Manufactured to : **BS EN 13369 : 2013**
- Tolerances to : **BS EN 13670 : 2009**

4. Physical & Chemical Properties

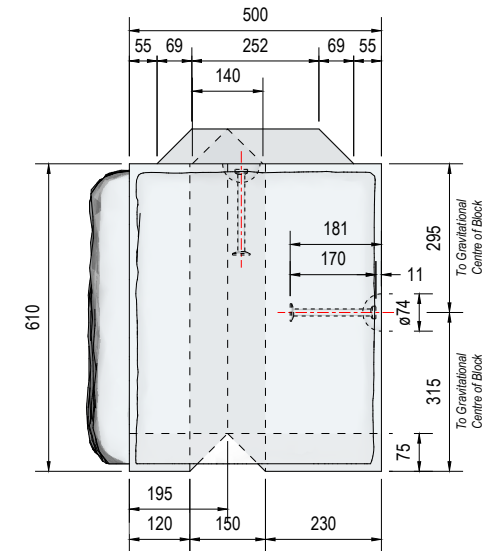
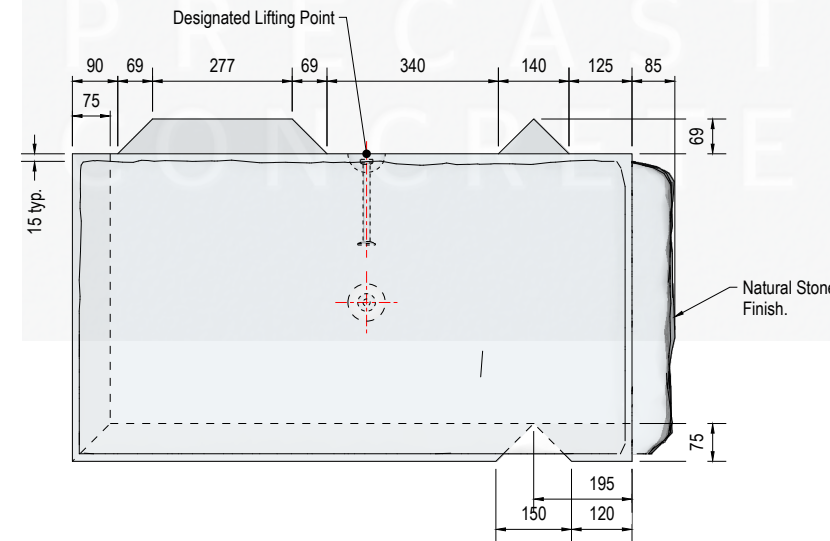
- Appearance : Grey in Colour
- Other Chemical Properties : Not Applicable

5. Design

- Design Life : **>100 years**

6. Manufacture Tolerances

- Length : **±5mm**
- Width : **±5mm**
- Height : **±5mm**



					TITLE Vee-Rock™ Interlocking Concrete Block 1220mm x 585mm x 610mm Natural Stone Faced (Corner) Elite Product Code : VRKC-1220					ELITE PRECAST CONCRETE LTD HALESFIELD 9, TELFORD SHROPSHIRE TF7 4QW www.eliteprecast.co.uk										
O	22.06.23	First Issue.	CTC	RMD			DRN	CTC	CHKD	RMD	DATE	22-06-23	SIZE	A4	SCALE	1:15	DRG	EPC-VRK-005	REV	O
REV	DATE	REASON FOR ISSUE	DRN	APP																