

**1. Handling**

**Unit Volume / Weight**

Unit Ref : **VRKN-610**  
 Volume : **0.170 m³**  
 Weight : **400 kg**

- Weight is based on 2,350 kg/m³
- Lifting system is by means of a 16mm dia. inverted 'V' hook using lifting chains or similar certified lifting system. Hook certified to : (LOLER 1998), (PUWER) 1998  
*(The spherical pin anchor is used for production purposes only).*

**IMPORTANT NOTE :**

Prior to lifting older / pre-used blocks, check the lifting pin for wear / corrosion and check the block for cracks. If the block is cracked or the pin is worn, it could fail when lifting.

**2. Concrete**

- Characteristic 28 day cube strength = 50 N/mm² min.
- Concrete is Class A1 Fire Resistant in accordance with clause 4.3.4.4 of EN 13369

**3. Manufacture**

- Manufactured to : **BS EN 13369 : 2013**
- Tolerances to : **BS EN 13670 : 2009**

**4. Physical & Chemical Properties**

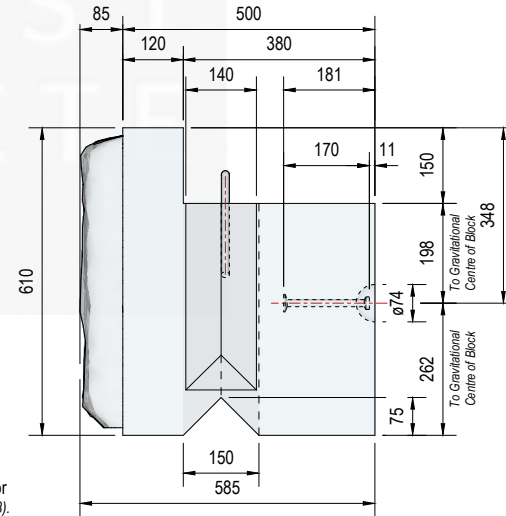
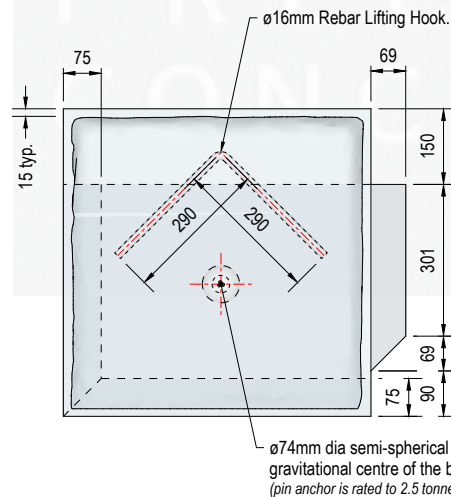
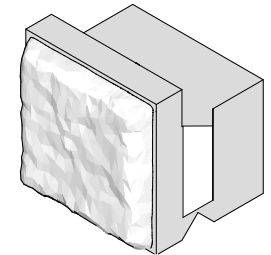
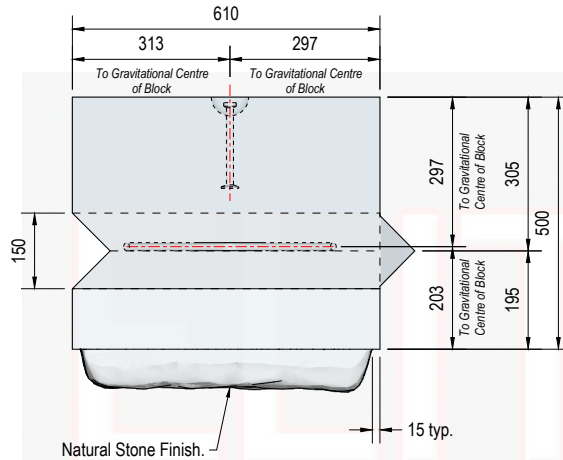
- Appearance : Grey in Colour
- Other Chemical Properties : Not Applicable

**5. Design**

- Design Life : **>100 years**

**6. Manufacture Tolerances**

- Length **±5mm**
- Width **±5mm**
- Height **±5mm**



O	22.06.23	First Issue.	CTC	RMD	
REV	DATE	REASON FOR ISSUE	DRN	APP	

TITLE					
<b>Vee-Rock™ Interlocking Concrete Block</b> <b>610mm x 585mm x 610mm Natural Stone Faced (notched)</b> Elite Product Code : <b>VRKN-610</b>					
		DRN	CTC	CHKD	RMD
		DATE	22-06-23		

ELITE PRECAST CONCRETE LTD					
HALESFIELD 9, TELFORD					
SHROPSHIRE TF7 4QW					
www.eliteprecast.co.uk					
SIZE	A4	SCALE	1:15	DRG	EPC-VRK-004
REV	O				