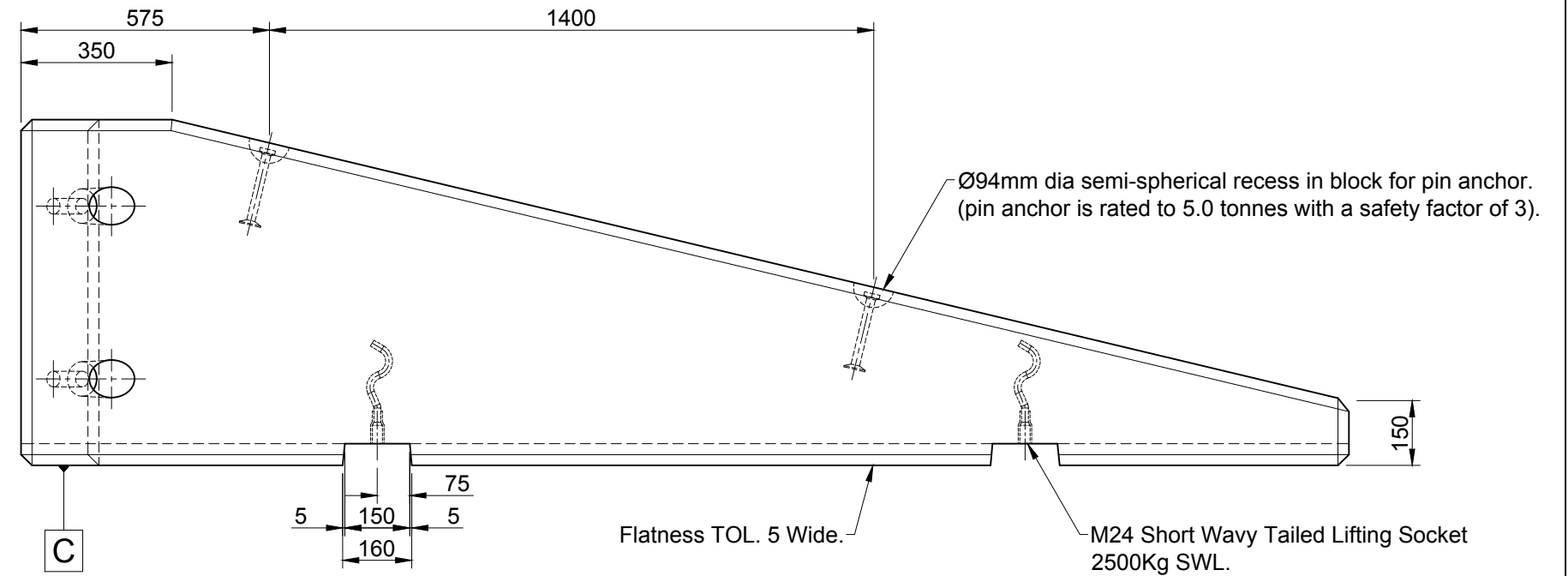
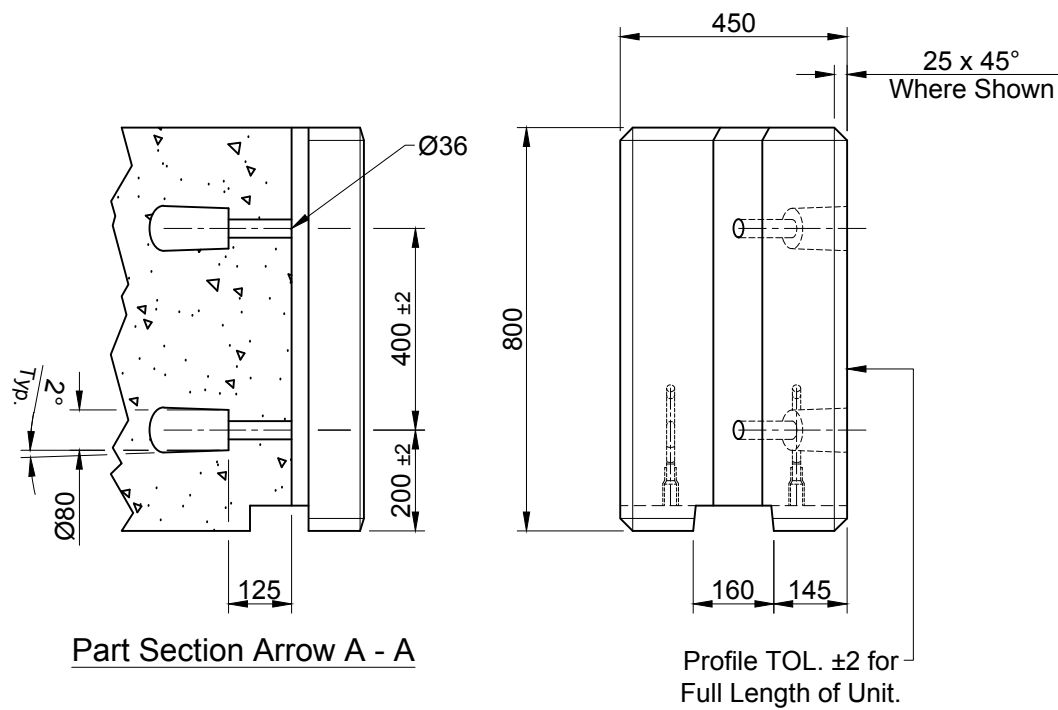
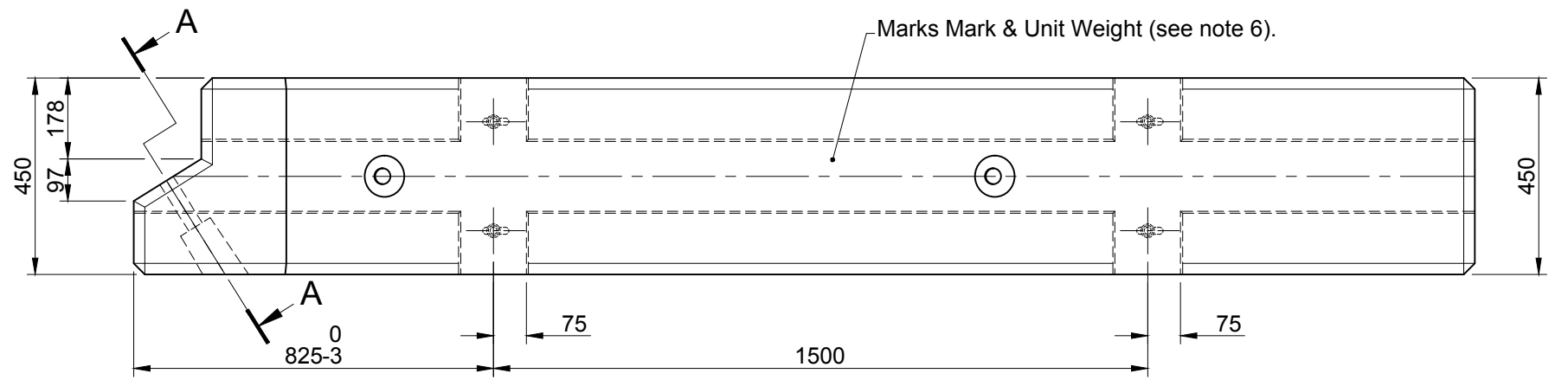
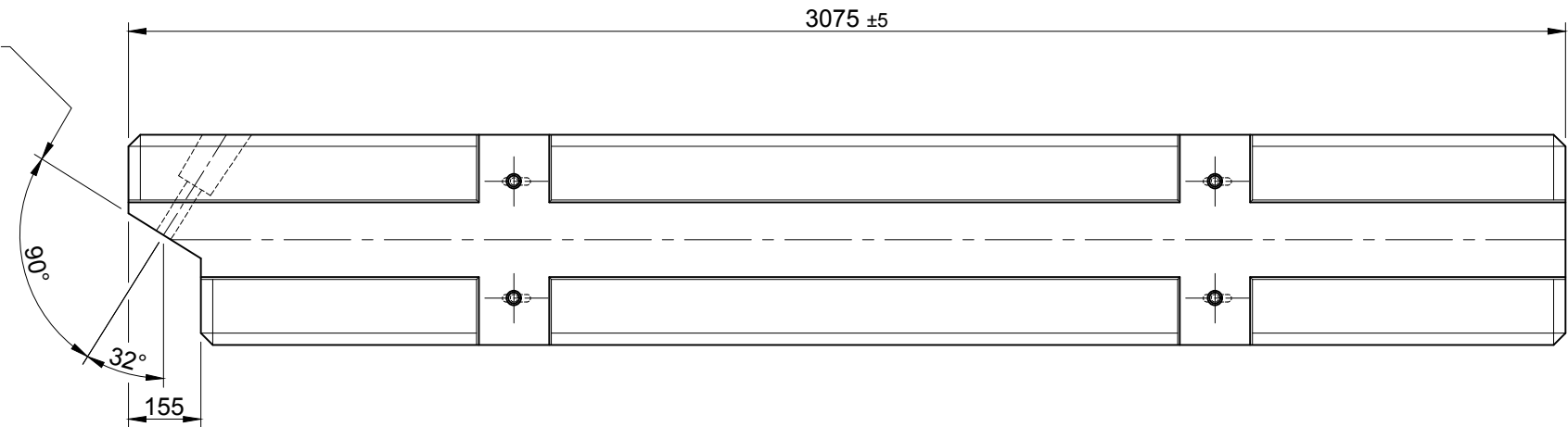


Notes

- Dimensions in millimetres
- Tolerance to be $\pm 0.5\%$ unless otherwise stated.
- For reinforcement details see drawing EPC-TVCB-008 & EPC-TVCB-009.
- Concrete mix C50 or C40 with air entrapment.
- The overlap of the scarf joint must always be in the direction of traffic.
- Manufacturer to establish weight from a sample unit, estimated weight of unit 1700Kg.



Square TOL
2 Wide Datum Face C.



										TITLE Temporary Vertical Concrete Barrier (TVCB) Terminal Unit (Central Reserve) Elite Product Code : V30				ELITE PRECAST CONCRETE LTD HALESFIELD 9, TELFORD SHROPSHIRE TF7 4QW					
A 08.02.18 Drawing revised & updated.						CTC RMD						DRN CTC CHKD RMD DATE 20-03-14		SIZE A3 SCALE 1:15 DRG EPC-TVCB-007 REV A					
O 20.03.14 For Information.						CTC RMD													
REV	DATE	REASON FOR ISSUE	DRN	APP	REV	DATE	REASON FOR ISSUE	DRN	APP										